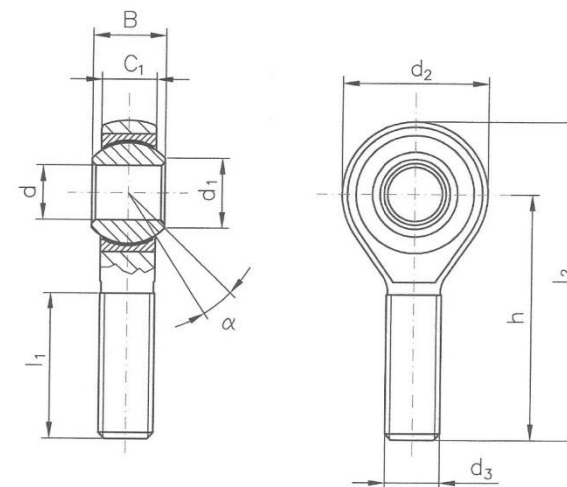


## ASKUBAL Rod ends Formula Student



Dimension series K / mating materials: steel on PTFE / maintenance-free / male thread

**Inner ring:** stainless steel or antifriction steel hard chromium plated  
**Outer ring:** stainless steel  
**Housing:** size 5 and 6: free-cutting steel electro-plated  
 from size 8: high-strength steel forged and electro-plated  
**Bearing clearance:** C1



Description		d	d <sub>3</sub>	B	C <sub>1</sub>	d <sub>1</sub>	d <sub>2</sub>	h	l <sub>1</sub>	l <sub>2</sub>	Load rating stat. C <sub>0</sub>	Load rating dyn. C	Tilt angle α
Righthand thread	Lefthand thread	mm	mm	mm	mm	mm	max. mm	mm	min. mm	mm	kN	kN	°
KA 5 D-FSC1	KAL 5 D-FSC1	5	M5	8	6,00	7,7	19	33	19	42,5	4	7,5	13
KA 6 D-FSC1	KAL 6 D-FSC1	6	M6	9	6,75	8,9	21	36	21	46,5	6	10,0	13
KA 8 D-FSC1	KAL 8 D-FSC1	8	M8	12	9,00	10,3	25	42	25	54,5	17	17,0	13
KA 10 D-FSC1	KAL 10 D-FSC1	10	M10	14	10,50	12,9	29	48	28	62,5	25	24,5	13
KA 12 D-FSC1	KAL 12 D-FSC1	12	M12	16	12,00	15,4	33	54	32	70,5	33	33,0	13